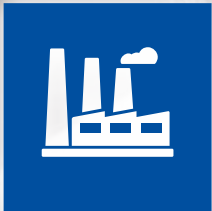




EBARA

CDX/2CDX
CENTRIFUGAL ELECTRIC PUMPS

60 Hz



SINGLE IMPELLER CENTRIFUGAL ELECTRIC PUMPS

in AISI 304



Single impeller centrifugal electric pumps with hydraulic parts in AISI 304 stainless steel.

APPLICATIONS

- Domestic pressure boosting
- Small-scale garden irrigation
- Washing
- Treating water
- Cooling towers
- Moving clean water in general

TECHNICAL DETAILS

- Solid hydraulic structure
- Small dimensions

PUMP TECHNICAL DATA

- Maximum working pressure: 8 bar
- Maximum temperature of the liquid:
 - from -5°C to +60°C for CDX 70
 - from -5°C to +90°C for the rest of the range
 - from -5°C to +110°C for H-HS-HW-HSW version
- G1½ suction connection for CDX 200, G1¼ for the rest of the range
- G1 discharge connection

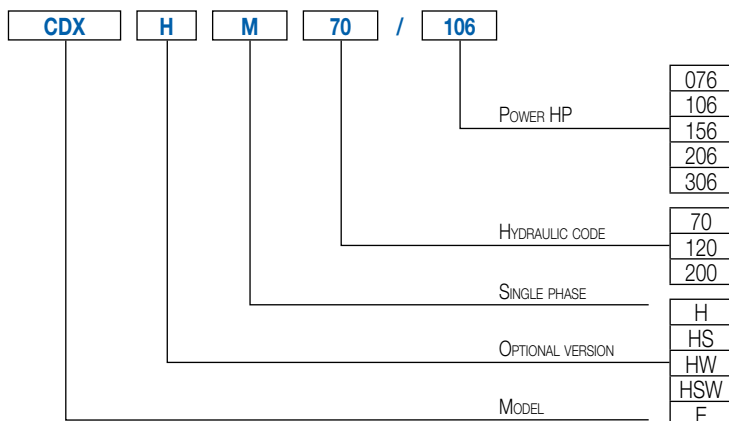
MOTOR TECHNICAL DATA

- IE3 high energy-efficiency motors starting from 0.75 kW up to 2.2 kW (only for 460V)
- Self-ventilated 2 poles asynchronous motor
- Class of insulation F
- IP55 Protection rating
- 110-115V ±6%, 60Hz single phase voltage
- 220-230V ±6%, 60Hz single phase voltage
- 220/380-460 -6% +10%, (0.55 kW) 60Hz three phase voltage
- 220/380-460 ±10%, (IE3* only 460V from 0.75 kW up to 2.2 kW) 60Hz three phase voltage
- Permanent capacitor inserted and thermo-amperometric protection with automatic rearm incorporated for the single phase motor
- Protection under user's responsibility for the three phase version

MATERIALS

- Casing, impeller, diffuser and casing cover in AISI 304
- Shaft in AISI 303
- Motor bracket and motor cover in aluminium
- Mechanical seal in:
 - Ceramic/Carbon/NBR (standard)
 - Ceramic/Carbon/FPM (H version)
 - SiC/SiC/FPM (HS version)
 - Tungsten carbide/Tungsten carbide/FPM (HW version - seal with reduced slide face)
 - SiC/Tungsten carbide/FPM (HSW version)
 - Ceramic/Graphite/EPDM (E version)

IDENTIFICATION CODE



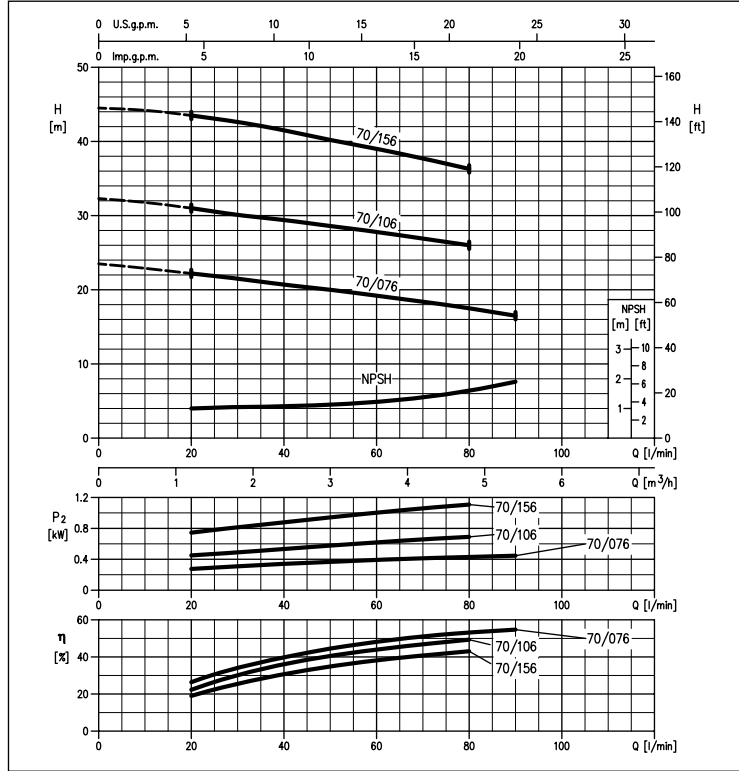


CDX

SINGLE IMPELLER CENTRIFUGAL ELECTRIC PUMPS in AISI 304

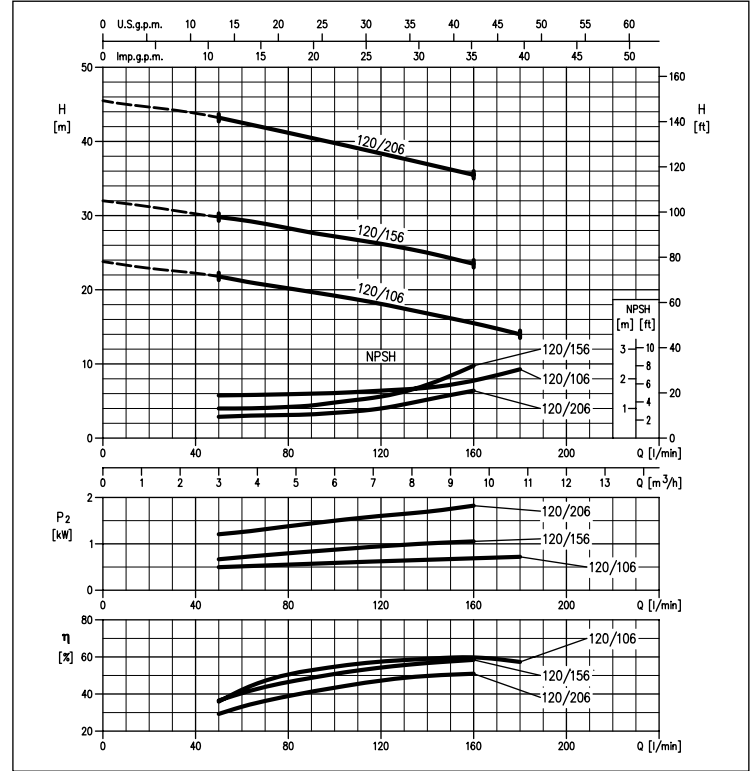
CDX 70 range PERFORMANCE CURVES

(according to ISO 9906 Attachment A)



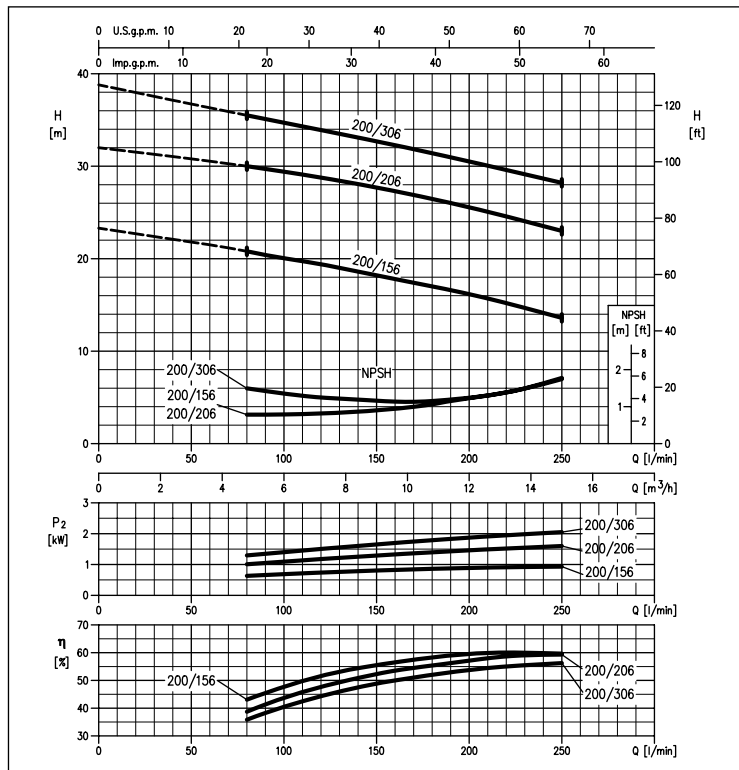
CDX 120 range PERFORMANCE CURVES

(according to ISO 9906 Attachment A)



CDX 200 range PERFORMANCE CURVES

(according to ISO 9906 Attachment A)



The content of this publication should not be considered mandatory. EBARA Pumps Europe S.p.A. reserves the right to change the content without prior notice.

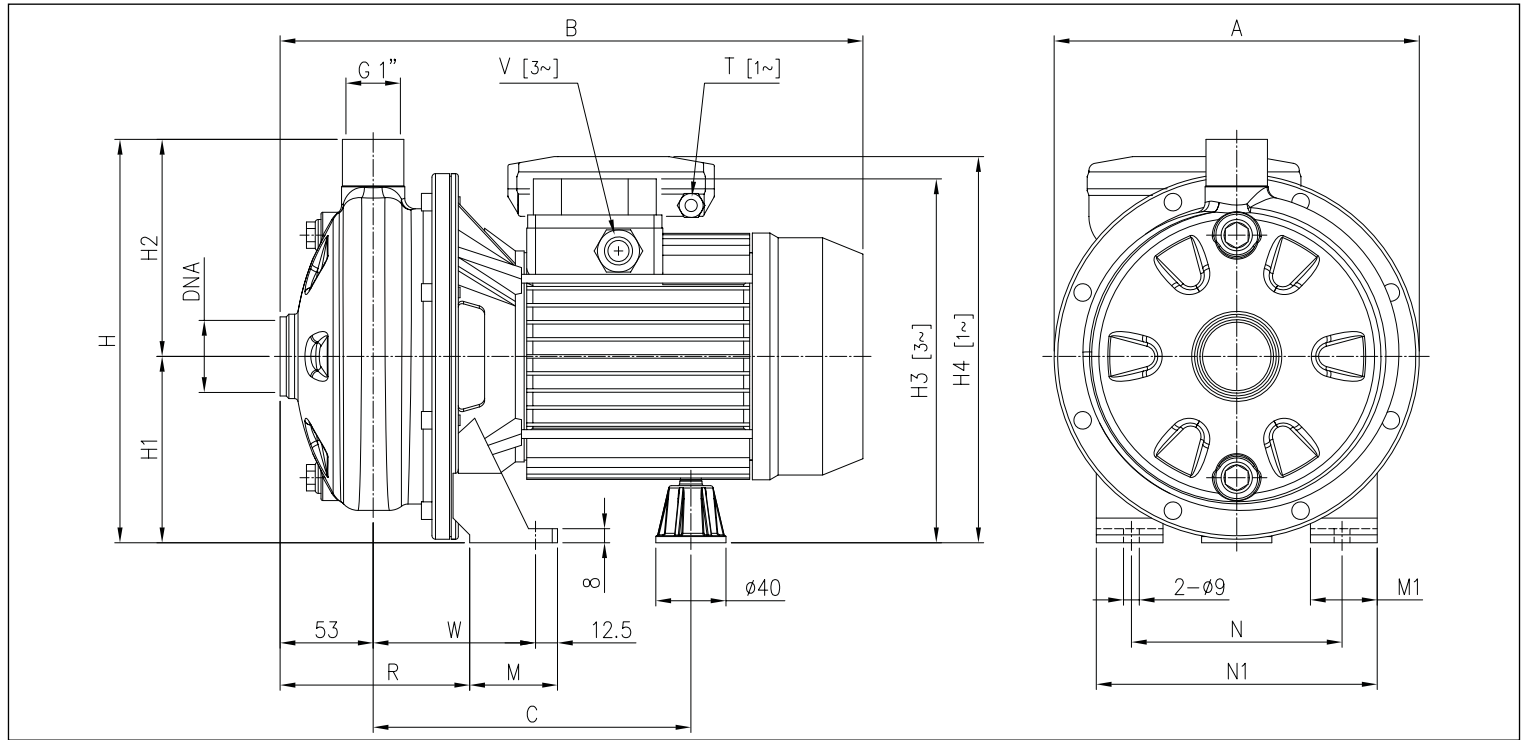
SINGLE IMPELLER CENTRIFUGAL ELECTRIC PUMPS

in AISI 304

CDX PERFORMANCE TABLE

Model		P ₂		Q = Flow Rate											
Single phase 110-115/220-230V	Three phase 220/380-460V	[HP]	[kW]	l/min	20	50	80	90	120	140	160	180	220	250	
				m ³ /h	1,2	3	4,8	5,4	7,2	8,4	9,6	10,8	13,2	15	
				H=Head [m]											
CDXM 70/076	CDX 70/076	0,75	0,55	22,2	20	17,5	16,5	-	-	-	-	-	-	-	
CDXM 70/106	CDX 70/106	1	0,75	31,0	28,6	26,0	-	-	-	-	-	-	-	-	
CDXM 70/156	CDX 70/156	1,5	1,1	43,5	40,2	36,3	-	-	-	-	-	-	-	-	
CDXM 120/106	CDX 120/106	1	0,75	-	21,8	20,2	19,7	18,1	16,8	15,5	14,0	-	-	-	
CDXM 120/156	CDX 120/156	1,5	1,1	-	29,8	28,3	27,7	26,2	25,0	23,5	-	-	-	-	
CDXM 120/206	CDX 120/206	2	1,5	-	43,2	41,0	40,4	38,2	36,8	35,5	-	-	-	-	
CDXM 200/156	CDX 200/156	1,5	1,1	-	-	20,8	20,4	19,4	18,6	17,8	17,0	15,2	13,5	-	
CDXM 200/206	CDX 200/206	2	1,5	-	-	30,0	29,5	28,6	27,9	27,2	26,3	24,6	23,0	-	
-	CDX 200/306	3	2,2	-	-	35,5	35,1	34,0	33,3	32,5	31,6	29,8	28,3	-	

CDX DIMENSIONS



DIMENSIONS TABLE

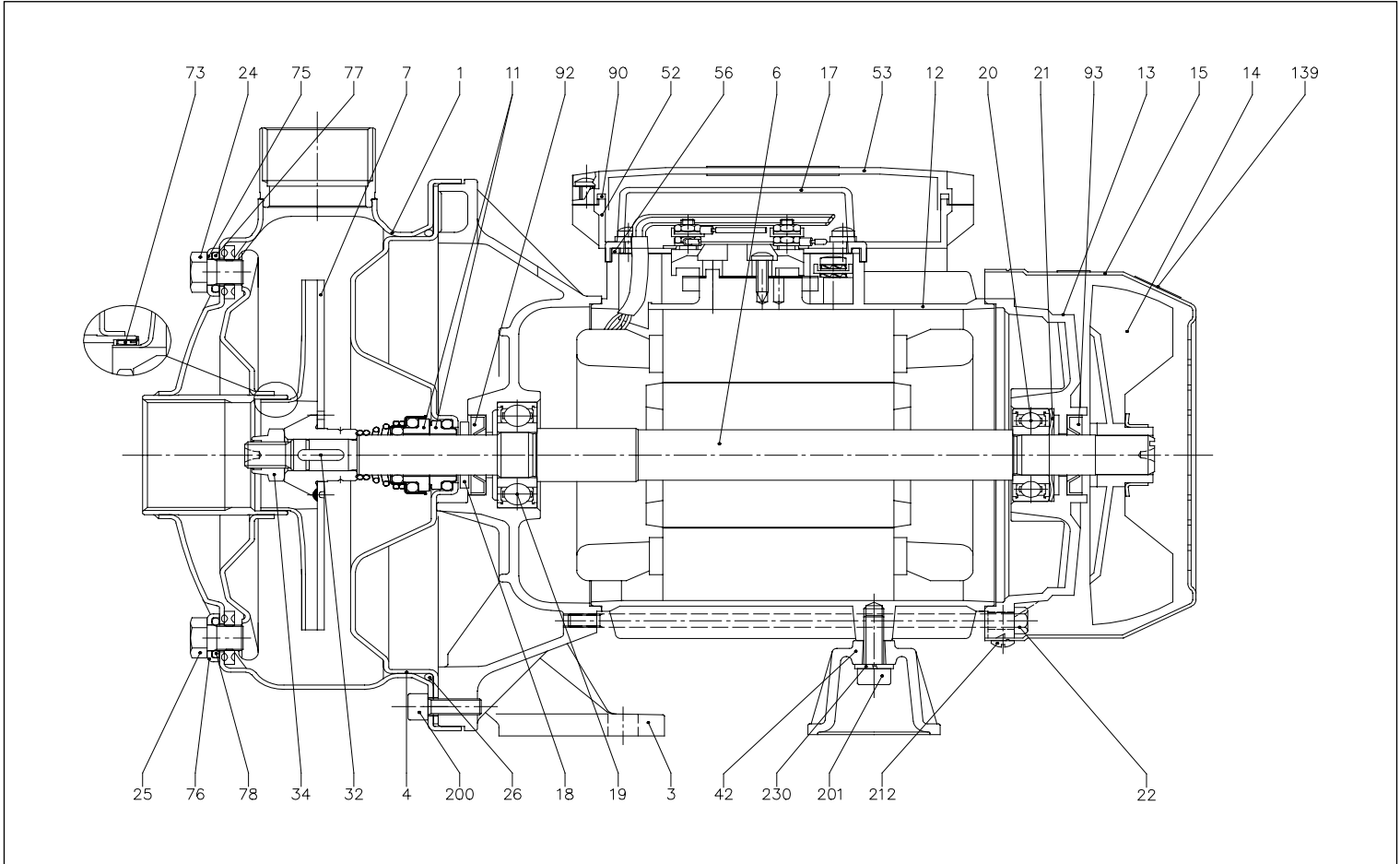
Model CDXM/CDX	Dimensions [mm]																			Weight				
	A	[2]	B	[1]	*	C	H	H1	H2	H3	H4	M	M1	N	N1	R	T	[1]	V	*	W	DNA	[2]	[1]
70/076	208	321	320	320	-	181	229,5	106	123,5	207	216	50	38	120	160	108	PG 11	PG 11	-	92,5	G1¼	8,5	8,0	-
70/106	208	321	320	320	181	229,5	106	123,5	207	216	50	38	120	160	108	108	PG 11	PG 11	M16x1,5	92,5	G1¼	9,5	10,0	10,0
70/156	208	321	332	332	181	229,5	106	123,5	207	216	50	38	120	160	108	108	PG 11	PG 11	M16x1,5	92,5	G1¼	11,7	13,0	13,0
120/106	208	321	320	320	181	229,5	106	123,5	207	216	50	38	120	160	108	108	PG 11	PG 11	M16x1,5	92,5	G1¼	9,5	10,0	10,0
120/156	208	321	332	332	181	229,5	106	123,5	207	216	50	38	120	160	108	108	PG 11	PG 11	M16x1,5	92,5	G1¼	11,7	12,0	12,0
120/206	208	347	359	372	198,5	229,5	106	123,5	225	249	55	40	140	180	105,5	105,5	PG 13,5	PG 11	M20x1,5	95	G1½	15,3	15,0	15,0
200/156	208	321	320	320	181	229,5	106	123,5	207	216	50	38	120	160	108	108	PG 11	PG 11	M16x1,5	92,5	G1½	11,0	11,0	11,0
200/206	208	347	359	372	198,5	229,5	106	123,5	225	237	55	40	140	180	105,5	105,5	PG 13,5	PG 11	M20x1,5	95	G1½	15,0	16,0	17,0
200/306	232	-	359	372	198,5	250	118	132	237	-	55	40	140	180	105,5	-	-	PG 11	M20x1,5	95	G1½	-	17,0	18,0

[1]= Three phase only
 [2]= Single phase only
 * Models with IE3 motor only

SINGLE IMPELLER CENTRIFUGAL ELECTRIC PUMPS

in AISI 304

SECTIONAL VIEW



MATERIALS TABLE

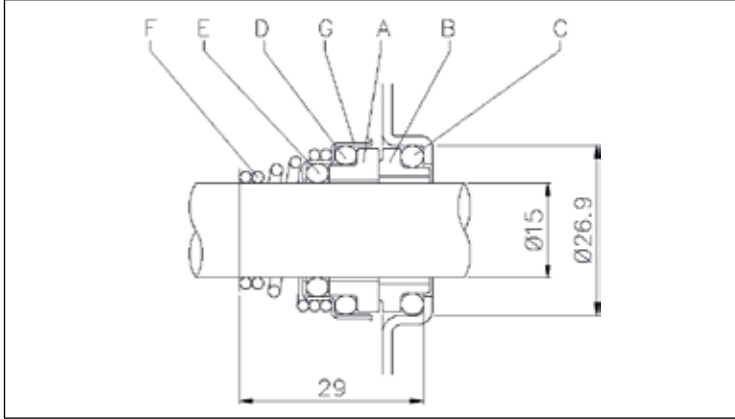
Ref.	Name	Material	Ref.	Name	Material
1	Fan	AISI 304 / AISI 316 [7]	25	O-ring [3]	AISI 303 / AISI 316 [7]
3	Casing	AISI 304 / AISI 316 [7]	26	Terminal box [1]	NBR
4	Motor bracket	AISI 304 / AISI 316 [7]	32	O-ring [3]	AISI 316
6	Casing cover	-	34	O-ring [3]	AISI 304 / AISI 316 [7]
7	Shaft with rotor	PA	42	Drain plug	NBR
11	Impeller	-	52	Key	AISI 304 / AISI 316 [7]
12	Mechanical seal [3]	NBR	53	Impeller nut	AISI 304
13	Motor frame with stator	-	56	Motor support	AISI 304
14	Motor cover	-	73	Terminal box cover [5]	NBR
15	Fan cover	-	75	Box gasket	NBR
16	Terminal board	AISI 303 / AISI 316 [7]	76	Casing ring [4]	NBR
17	Terminal box cover [2]	Aluminium	77	Washer	-
18	Splash ring	AISI 303 / AISI 316 [8] (Wet extension)	78	Washer	-
19	Pump side ball bearing	Carbon/Ceramic/NBR	90	Terminal box cover gasket [6]	-
20	Fan side ball bearing	Aluminium	92	Lip seal	Aluminium
21	Adjusting ring	Fe P04 Zincate	93	Lip seal	ABS class V0
22	Tie rod	Aluminium	110	Protector [1]	ABS class V0
23	Capacitor [1]	Steel C70	200	Screw	Stainless steel A2 UNI7323
24	Priming plug	Fe 420 Zincate			

[1] Only for single phase
 [2] Only for three phase
 [3] FPM for CDX H-HS-HW-HSW, EPDM for CDX E
 [4] NBR for CDX 70/076-70/106-70/156, FPM for CDX H-HS-HW-HSW of the CDX 70/076-70/106-70/156
 [5] Whit gasket in NBR only for version single phase CDXM 70/076, 70/106, 70/156, 120/106, 120/156, 200/156
 [6] Only for version single phase CDXM 120/206, 200/206
 [7] Only for "L" version

SINGLE IMPELLER CENTRIFUGAL ELECTRIC PUMPS

in AISI 304

SECTIONAL VIEW



MATERIALS TABLE

Ref.	Name	Material					
		Standard Version	H Version	HS Version	HW Version	HSW	E
A	Rotary seal ring	Ceramic	Ceramic	Silicon carbide	Tungsten carbide	Silicon carbide	Ceramic
B	Stationary seal ring	Carbon graphite	Carbon graphite	Silicon carbide	Tungsten carbide	Tungsten carbide	Carbon graphite
C	O Ring	NBR	FPM	FPM	FPM	FPM	EPDM
D	O Ring	NBR	FPM	FPM	FPM	FPM	EPDM
E	O Ring	NBR	FPM	FPM	FPM	FPM	EPDM
F	Self driving spring	AISI 316	AISI 316	AISI 316	AISI 316	AISI 316	AISI 316
G	Frame	AISI 304	AISI 304	AISI 316	AISI 316	AISI 316	AISI 316

ELECTRIC DATA TABLE

Model		P ₂		Efficiency		Capacitor				Efficiency (%)			Efficiency (%)			P		Absorbed Current [A]			
Single phase 230V	Three phase 230/400V	[HP]	[kW]	Single phase	Three phase	110-115 V µF	220-230 V V.	µF	V.	Three phase 380V η %	Three phase 460V η %	Single phase [kW]	Three phase [kW]	Single Phase 220-230 V	Three Phase 220 V	380 V	460 V				
										50%	75%	100%	50%	75%	100%						
CDXM 70/076	CDX 70/076	0,75	0,55	-	-	45	250	12,5	450	-	-	-	-	-	-	0,70	0,74	7,5	3,4	1,2	1,2
CDXM 70/106	CDX 70/106	1,0	0,75	-	-	60	250	14	450	-	-	-	-	-	-	1,05	0,97	9,4	5,1	1,7	1,6
CDXM 70/156	CDX 70/156	1,5	1,1	-	-	-	-	25	450	80,7	82,3	81,5	77,9	81,7	82,7	1,56	1,50	-	7,5	2,2	2,2
-	CDX 70/156	1,5	1,1	-	IE3*	-	-	-	-	84,8	84,5	82,7	82,0	84,4	84,5	-	1,30	-	-	2,3	2,2
CDXM 120/106	CDX 120/106	1,0	0,75	-	-	60	250	14	450	-	-	-	-	-	-	1,06	0,99	10,4	5,2	1,7	1,7
CDXM 120/156	CDX 120/156	1,5	1,1	-	-	-	-	25	450	80,7	82,3	81,5	77,9	81,7	82,7	1,50	1,50	-	7,2	2,2	2,2
-	CDX 120/156	1,5	1,1	-	IE3*	-	-	-	-	84,8	84,5	82,7	82,0	84,4	84,5	-	1,30	-	-	2,3	2,2
CDXM 120/206	CDX 120/206	2,0	1,5	-	-	-	-	35	450	82,4	83,0	82,2	79,5	82,9	83,8	2,34	2,90	-	11,3	4,7	4,3
-	CDX 120/206	2,0	1,5	-	IE3*	-	-	-	-	88,9	88,8	87,2	86,3	88,5	88,4	-	2,48	-	-	4,3	4,1
CDXM 200/156	CDX 200/156	1,5	1,1	-	-	-	-	20	450	77,2	79,5	79,3	76,6	80,9	82,3	1,35	1,00	-	6,6	1,7	1,6
-	CDX 200/156	1,5	1,1	-	IE3*	-	-	-	-	80,7	81,9	81,3	78,4	81,6	83,1	-	0,90	-	-	1,6	1,5
CDXM 200/206	CDX 200/206	2,0	1,5	-	-	-	-	35	450	82,4	83,0	82,2	79,5	82,9	83,8	2,06	2,90	-	10,0	4,7	4,3
-	CDX 200/206	2,0	1,5	-	IE3*	-	-	-	-	88,9	88,8	87,2	86,3	88,5	88,4	-	2,48	-	-	4,3	4,1
-	CDX 200/306	3,0	2,2	-	-	-	-	-	-	82,4	83,0	82,2	79,5	82,9	83,8	-	2,90	-	-	4,7	4,3
-	CDX 200/306	3,0	2,2	-	IE3*	-	-	-	-	88,9	88,8	87,2	86,3	88,5	88,4	-	2,48	-	-	4,3	4,1

* Only for 460V

The content of this publication should not be considered mandatory. EBARA Pumps Europe S.p.A. reserves the right to change the content without prior notice.

2CDX

SINGLE IMPELLER CENTRIFUGAL ELECTRIC PUMPS

in AISI 304



Dual impeller centrifugal electric pumps with hydraulic parts in AISI 304 stainless steel.

APPLICATIONS

- Domestic pressure boosting
- Small-scale garden irrigation
- Washing
- Treating water
- Cooling towers
- Moving clean water in general

TECHNICAL DETAILS

- Strong structure
- Small dimensions

PUMP TECHNICAL DATA

- Maximum working pressure: 8 bar
- Maximum temperature of the liquid:
 - from -5°C to +60°C
 - from -5°C to +110° in the H-HS version
- Suction connection from G1¼ to G1½
- G1 discharge connection

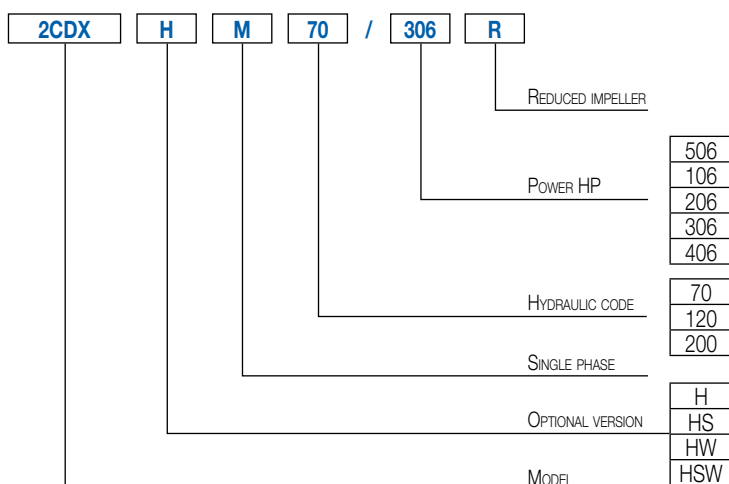
MOTOR TECHNICAL DATA

- IE3 high energy-efficiency motors starting from 0.75 kW up to 2.2 kW (only for 460V)
- Self-ventilated 2 poles asynchronous motor
- Class of insulation F
- IP55 Protection rating
- 220-230V ±6%, 60Hz single phase voltage
- 220/380V ±10%, (from 0.75 up to 4.0 kW) 60Hz three phase voltage
- 220/460V ±10%, (IE3 from 0.75 up to 4.0kW) 60Hz three phase voltage
- Permanent capacitor inserted and thermo-amperometric protection with automatic rearm incorporated for the single phase motor
- Protection under user's responsibility for the three phase version

MATERIALS

- Casing, impeller, diffuser and casing cover in AISI 304
- Shaft in AISI 303
- Motor bracket and motor cover in aluminium
- Mechanical seal in:
 - Ceramic/Carbon/NBR (standard)
 - Ceramic/Carbon/FPM (H version)
 - SiC/SiC/FPM (HS version)
 - Tungsten carbide/Tungsten carbide/FPM (HW version - seal with reduced slide face)
 - SiC/Tungsten carbide/FPM (HSW version)
 - Ceramic/Graphite/EPDM (E version)

IDENTIFICATION CODE



The content of this publication should not be considered mandatory. EBARA Pumps Europe S.p.A. reserves the right to change the content without prior notice.

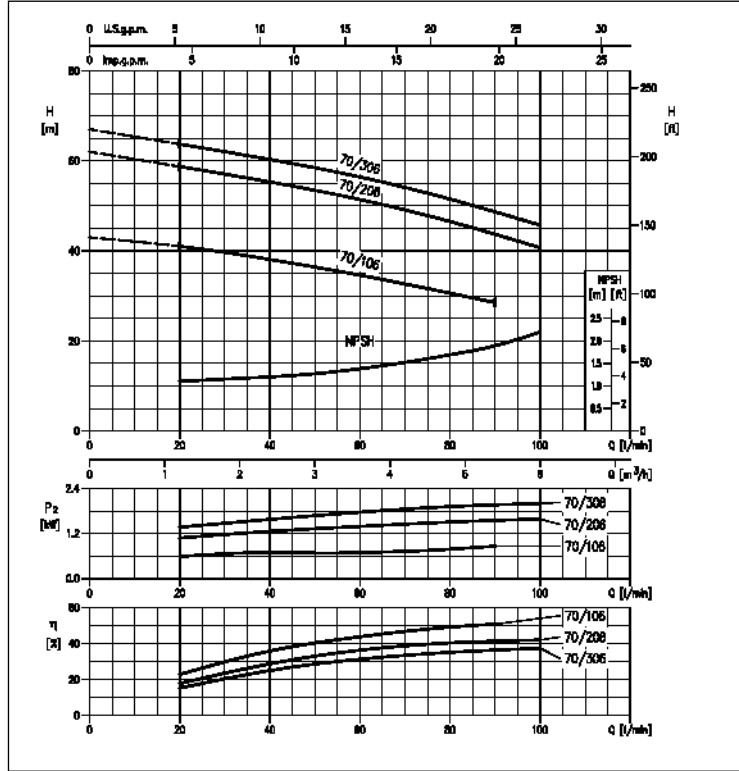


2CDX

SINGLE IMPELLER CENTRIFUGAL ELECTRIC PUMPS in AISI 304

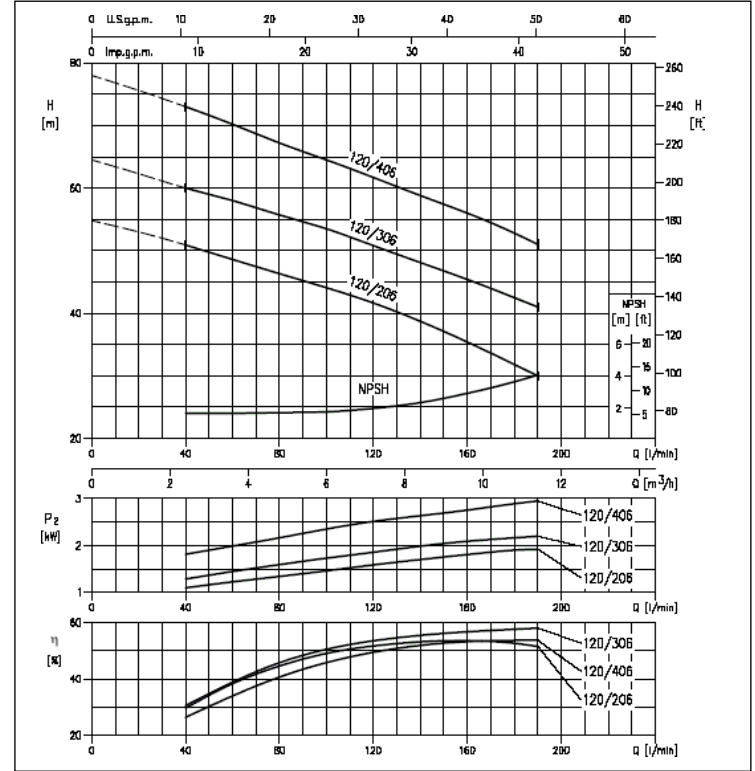
2CDX 70 range PERFORMANCE CURVES

(according to ISO 9906 Attachment A)



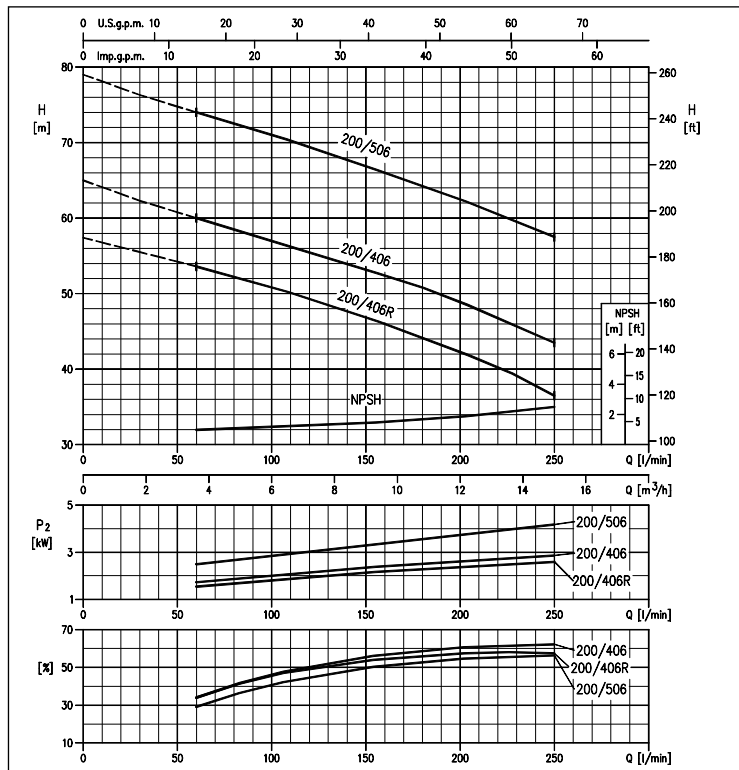
2CDX 120 range PERFORMANCE CURVES

(according to ISO 9906 Attachment A)



2CDX 200 range PERFORMANCE CURVES

(according to ISO 9906 Attachment A)



The content of this publication should not be considered mandatory. EBARA Pumps Europe S.p.A. reserves the right to change the content without prior notice.

2CDX

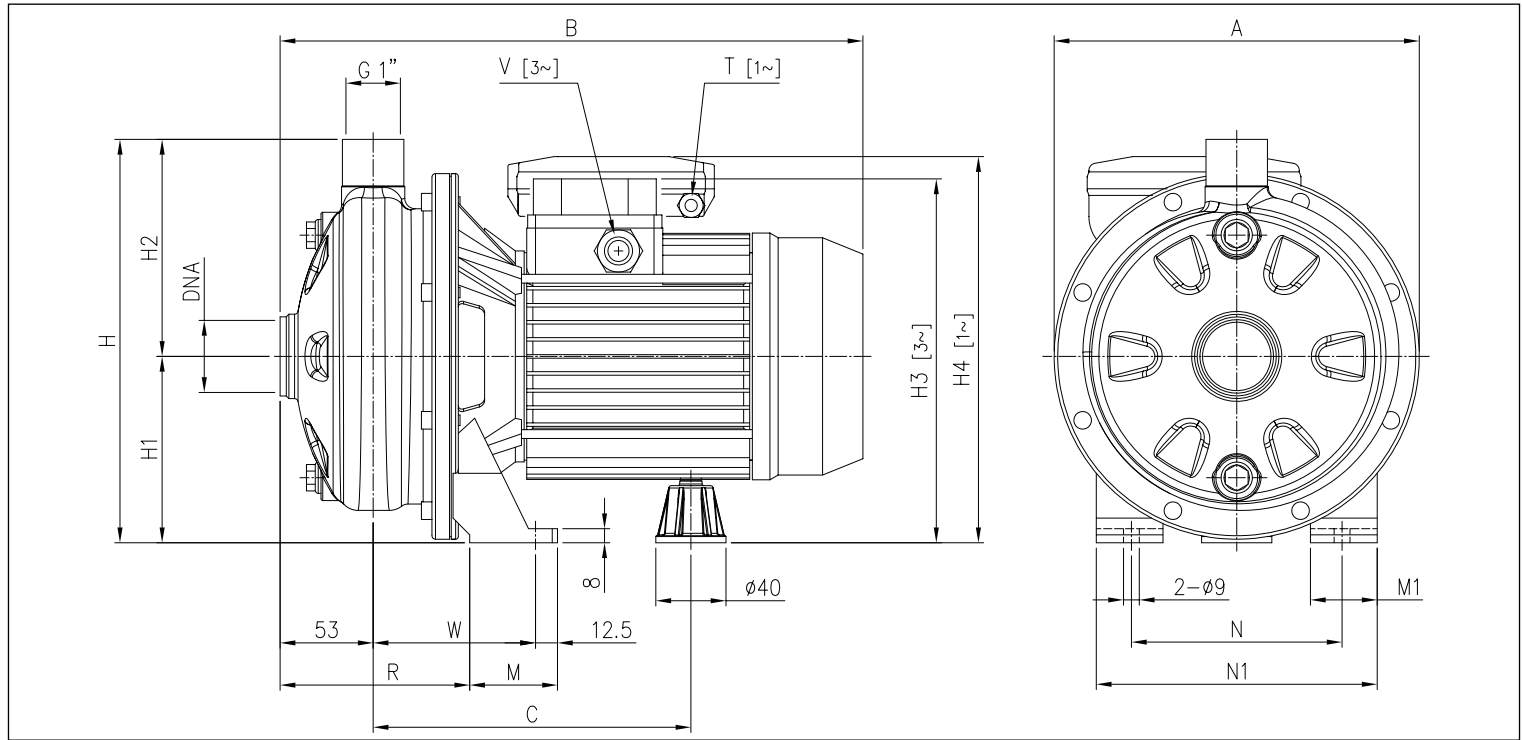
SINGLE IMPELLER CENTRIFUGAL ELECTRIC PUMPS

in AISI 304

2CDX PERFORMANCE TABLE

Single phase	Model Three phase	P ₂		l/min m ³ /h	Q = Flow Rate												
		[HP]	[kW]		20	40	60	90	100	120	140	160	190	240	250		
				H=Head [m]													
2CDXM 70/106	2CDX 70/106	1	0,75	41,0	38,1	34,6	28,5	-	-	-	-	-	-	-	-	-	-
2CDXM 70/206	2CDX 70/206	2	1,5	58,5	55,5	51,5	44,0	40,5	-	-	-	-	-	-	-	-	-
2CDXM 70/306	2CDX 70/306	3	2,2	63,5	60,5	56,5	49,0	45,5	-	-	-	-	-	-	-	-	-
-	2CDX 120/206	2	1,5	-	50,5	48,5	45,0	44,0	41,5	38,6	35,6	30,0	-	-	-	-	-
-	2CDX 120/306	3	2,2	-	60,0	58,0	54,5	53,5	51,0	48,5	45,5	41,0	-	-	-	-	-
-	2CDX 120/406	4	3	-	73,0	70,0	66,0	64,5	62,0	59,0	56,0	51,0	-	-	-	-	-
-	2CDX 200/406	4	3	-	-	60,0	58,0	57,0	55,5	54,0	52,5	50,0	45,0	43,5	-	-	-
-	2CDX 200/406R	4	3	-	-	53,5	51,5	51,0	49,5	47,5	46,0	43,0	37,9	36,5	-	-	-
-	2CDX 200/506	5,5	4	-	-	74,0	72,0	71,0	69,5	68,0	66,0	63,5	58,5	57,5	-	-	-

2CDX DIMENSIONS



DIMENSIONS TABLE

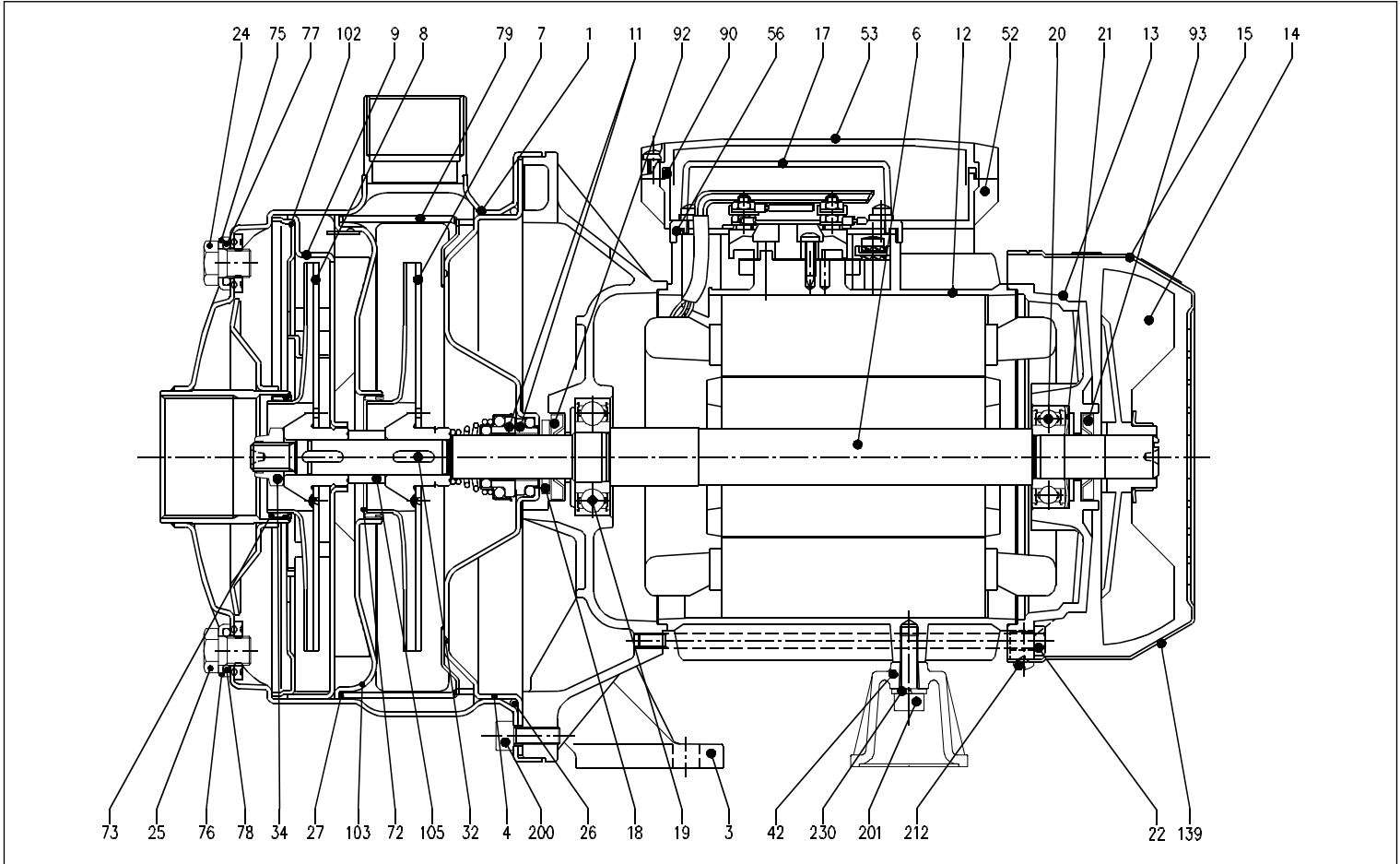
Model 2CDX(M)	Dimensions [mm]																				Weight [Kg]					
	A	B	C	D	E	H	H1	H2	H3	H4	M	M1	N	N1	P	R	S	T	V	W	DNA	[2]	[1]	*		
70/106	208	354	181	12,5	8	229	106	123	208	208	216	50	38	120	160	87	142	Ø9	PG11	PG 11	M16x1.5	93	G1 ¹ / ₄	12,6	12,0	12,0
70/206	208	393	199	12,5	8	229	106	123	225	225	242	55	40	140	180	87	140	Ø9	PG 13.5	PG 11	M20x1.5	95	G1 ¹ / ₄	16,6	16,0	17,0
70/306	208	393	199	12,5	8	229	106	123	225	225	242	55	40	140	180	87	140	Ø9	PG 13.5	PG 11	M20x1.5	95	G1 ¹ / ₄	16,9	16,0	17,0
120/206	208	395	199	12,5	8	229	106	123	225	225	-	55	40	140	180	89	142	Ø9	-	PG 11	M20x1.5	95	G1 ¹ / ₄	-	17,5	18,4
120/306	208	395	199	12,5	8	229	106	123	225	225	-	55	40	140	180	89	142	Ø9	-	PG 11	M20x1.5	95	G1 ¹ / ₄	-	20,1	21,0
120/406	208	459	199	12,5	8	229	106	123	230	230	-	65	40	140	180	89	146	Ø9	-	PG 13.5	M20x1.5	109	G1 ¹ / ₄	-	25,9	25,9
200/406	208	457	199	12,5	8	229	106	123	230	230	-	65	40	140	180	87	144	Ø9	-	PG 13.5	M20x1.5	109	G1 ¹ / ₂	-	25,7	25,7
200/406R	208	457	199	12,5	8	229	106	123	230	230	-	65	40	140	180	87	144	Ø9	-	PG 13.5	M20x1.5	109	G1 ¹ / ₂	-	25,7	25,7
200/506	208	480	233	16,0	12	241	118	123	259	259	-	68	50	160	210	87	144	Ø12	-	PG 16	M20x1.5	109	G1 ¹ / ₂	-	35,7	35,7

[1]= Three phase only
 [2]= Single phase only
 * Models with IE3 motor only

SINGLE IMPELLER CENTRIFUGAL ELECTRIC PUMPS

in AISI 304

SECTIONAL VIEW



MATERIALS TABLE

Ref.	Name	Material	Ref.	Name	Material
1	Casing	AISI 304	27	O-ring [3]	NBR
3	Motor bracket	[4]	32	Key	AISI 316
4	Casing cover	AISI 304	34	Impeller nut	AISI 304
6	Shaft w ith rotor	AISI 304 (Wet extension)	42	Motor support	Aluminium
7	Impeller	AISI 304	52	Capacitor box [1]	ABS class V-0
8	Impeller	AISI 304	53	Capacitor box cover [5]	ABS class V-0
9	Diffuser	AISI 304	56	Box gasket	NBR
11	Mechanical seal [3] [6]	Ceramic/Carbon/NBR	72	Casing ring [3]	NBR
12	Motor frame w ith stator	-	73	Casing ring [3]	NBR
13	Motor cover	Aluminium	75	Washer	AISI 304
14	Fan	PA	76	Washer	AISI 304
15	Fan cover	Fe P04 Zincate	77	O-ring [3]	NBR
16	Terminal board	-	78	O-ring [3]	NBR
17	Terminal box cover [2]	Aluminium	79	Space dif fuser	AISI 304
18	Splash ring	NBR	90	Terminal box cover gasket [7]	NBR
19	Pump side ball bearing	-	92	Lip seal	-
20	Fan side ball bearing	-	93	Lip seal	-
21	Adjusting ring	Steel C70	102	Suction cover	AISI 304
22	Tie rod	Fe 420 Zincate	103	Conveyor cover	AISI 304
23	Capacitor [1]	-	105	Sleeve	AISI 304
24	Priming plug	AISI 304	110	Protector [1]	-
25	Drain plug	AISI 304	200	Screw	Stainless steel A2 UNI7323
26	O-ring [3]	NBR			

[1] Only for single phase

[2] Only for three phase

[3] FPM for H, HS, HW, HSW

[4] Material: Aluminium for version up to 2.2 kW included, Cast iron for version 3.0 kW and above

[5] Whit gasket in NBR only for version single phase 2CDXM 70/106

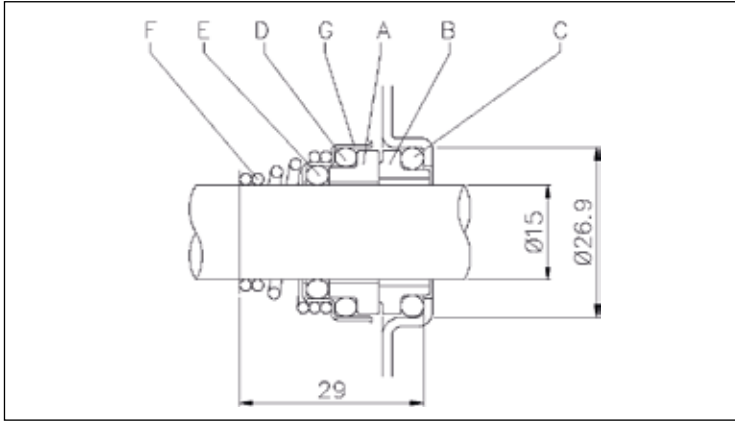
[6] Special version: see page 301

[7] Only for version single phase 2CDXM 70/206; 2CDXM 70/306

SINGLE IMPELLER CENTRIFUGAL ELECTRIC PUMPS

in AISI 304

SECTIONAL VIEW



MATERIALS TABLE

Ref.	Name	Standard Version	H Version	Material HS Version	HW Version	HSW
A	Rotary seal ring	Ceramic	Ceramic	Silicon carbide	Tungsten carbide	Silicon carbide
B	Stationary seal ring	Carbon graphite	Carbon graphite	Silicon carbide	Tungsten carbide	Tungsten carbide
C	O Ring	NBR	FPM	FPM	FPM	FPM
D	O Ring	NBR	FPM	FPM	FPM	FPM
E	O Ring	NBR	FPM	FPM	FPM	FPM
F	Self driving spring	AISI 316	AISI 316	AISI 316	AISI 316	AISI 316
G	Frame	AISI 304	AISI 304	AISI 316	AISI 316	AISI 316

ELECTRIC DATA TABLE

Model		P ₂		Efficiency		Capacitor		Efficiency (%)			Efficiency (%)			P		Absorbed Current [A]			
Single phase 230V	Three phase 230/400V	[HP]	[kW]	Single phase	Three phase	Single	Phase V.	Three phase 380V	Three phase 460V	Three phase 460V	Single phase	Three phase	Single Phase 220-230 V	Three Phase					
						μF		50%	75%	100%	50%	75%	100%	[kW]	[kW]	220 V	380 V	460 V	
2CDXM 70/106	2CDX 70/106	1	0,75	-	-	20	450	77,2	79,5	79,3	76,6	80,9	82,3	1,37	1,00	6,4	2,9	1,7	1,6
2CDXM 70/206	2CDX 70/106	1	0,75	-	IE3*	-	-	80,7	81,9	81,3	78,4	81,6	83,1	1,37	0,90	6,4	2,8	1,6	1,5
2CDXM 70/306	2CDX 70/206	2	1,5	-	-	35	450	82,4	83,0	82,2	79,5	82,9	83,8	2,05	2,90	9,9	8,1	4,7	4,3
-	2CDX 70/206	2	1,5	-	IE3*	-	-	88,9	88,8	87,2	86,3	88,5	88,4	2,05	2,48	9,9	7,5	4,3	4,1
-	2CDX 70/306	3	2,2	-	-	35	450	82,4	83,0	82,2	79,5	82,9	83,8	2,63	2,90	11,9	8,1	4,7	4,3
-	2CDX 70/306	3	2,2	-	IE3*	-	-	88,9	88,8	87,2	86,3	88,5	88,4	2,63	2,48	11,9	7,5	4,3	4,1
-	2CDX 120/206	2	1,5	-	-	-	-	82,4	83,0	82,2	79,5	82,9	83,8	-	2,90	-	8,1	4,7	4,3
-	2CDX 120/206	2	1,5	-	IE3*	-	-	88,9	88,8	87,2	86,3	88,5	88,4	-	2,48	-	7,5	4,3	4,1
-	2CDX 120/306	3	2,2	-	-	-	-	82,4	83,0	82,2	79,5	82,9	83,8	-	2,90	-	8,1	4,7	4,3
-	2CDX 120/306	3	2,2	-	IE3*	-	-	88,9	88,8	87,2	86,3	88,5	88,4	-	2,48	-	7,5	4,3	4,1
-	2CDX 120/406	4	3	-	-	-	-	84,0	85,9	85,2	80,2	83,5	84,6	-	3,90	-	10,5	6,1	5,6
-	2CDX 120/406	4	3	-	IE3*	-	-	-	-	87,5	-	-	88,5	-	3,42	-	10,2	5,9	5,6
-	2CDX 200t/406	4	3	-	-	-	-	84,0	85,9	85,2	80,2	83,5	84,6	-	3,90	-	10,5	6,1	5,6
-	2CDX 200/406	4	3	-	IE3*	-	-	-	-	87,5	-	-	88,5	-	3,42	-	10,2	5,9	5,6
-	2CDX 200/406R	4	3	-	-	-	-	84,0	85,9	85,2	80,2	83,5	84,6	-	3,90	-	10,5	6,1	5,6
-	2CDX 200/406	4	3	-	IE3*	-	-	-	-	87,5	-	-	88,5	-	3,42	-	10,2	5,9	5,6
-	2CDX 200/506	5,5	4	-	-	-	-	83,2	85,8	86,1	81,0	85,1	86,7	-	5,10	-	15,7	9,0	7,4
-	2CDX 200/506	5	3,7	-	IE3*	-	-	89,7	89,6	88,6	86,1	88,4	88,5	-	4,52	-	13,5	7,8	7,6

* Only for 460V

EBARA Pumps Europe network

HEAD OFFICE

EBARA Pumps Europe S.p.A.
Via Pacinotti, 32
36040 Brendola (VI), Italy
Phone +39 0444 706811 - Fax +39 0444 405811

Italian Sales (for order only):
e-mail: ordini@ebaraeurope.com

Export Sales (for order only):
e-mail: exportsales@ebaraeurope.com

Technical Customer Service (TCS):
e-mail: tcs@ebaraeurope.com
Phone +39 0444 706869/902/923/833

Marketing & Marketing Communication:
e-mail: marketing@ebaraeurope.com

ITALIAN SALES NETWORK

NORTH-EAST Region:
(Trentino Alto Adige, Veneto, Friuli Venezia Giulia, Emilia Romagna)
Regional Manager mobile: +39 335 6423308
e-mail: nord@ebaraeurope.com
Phone +39 0444 706811 - Fax +39 0444 405811

NORTH-WEST Region:
(Valle d'Aosta, Piemonte, Lombardia, Liguria)
Regional Manager mobile: +39 335 5327276
e-mail: mktgmi@ebaraeurope.com
Phone +39 0444 706811 - Fax +39 0444 405975

CENTRAL Region:
(Toscana, Umbria, Marche, Lazio, Abruzzo, Molise)
Regional Manager mobile: +39 335 6423286
e-mail: centro@ebaraeurope.com
Phone +39 0444 706811 - Fax +39 0444 405811

SOUTH Region:
(Campania, Basilicata, Puglia, Calabria, Sicilia)
Regional Manager mobile: +39 335 6423316
e-mail: sud@ebaraeurope.com
Phone +39 0444 706811 - Fax +39 0444 405811

INDUSTRIAL Division:
Manager mobile: +39 335 6423302
e-mail: industry@ebaraeurope.com
Phone +39 0444 706811 - Fax +39 0444 405811

WASTEWATER Division:
Manager mobile: +39 335 6423290
e-mail: ses@ebaraeurope.com
Phone +39 0444 706811 - Fax +39 0444 405811

CAGLIARI Branch:
Via del Fangario, 29
09122 Cagliari
Phone +39 070 274281 - Fax +39 0444 405960
Branch Manager mobile: +39 335 6423320
e-mail: mktgca@ebaraeurope.com

PALERMO Branch:
Via Don L. Sturzo, 181/183
Z.I. - 90044 Carini (PA)
Phone +39 091 8669790 - Fax +39 0444 405980
Branch Manager mobile: +39 335 6423316
e-mail: mktgpa@ebaraeurope.com

EXPORT NETWORK

EBARA Pumps Europe S.p.A. UNITED KINGDOM
Unit 7 - Zodiac Business Park
High Road - Cowley Uxbridge
Middlesex - UB8 2GU, United Kingdom
Phone +44 1895 439027 - Fax +44 1895 439028
e-mail: mktguk@ebaraeurope.com

EBARA ESPAÑA BOMBAS S.A.
C/Cormoranes 6 Y 8
Poligono Ind. La Estación
28320 Pinto (Madrid), Spain
Phone +34 916.923.630 - Fax +34 916.910.818
e-mail: marketing@ebara.es

EBARA Pumps Europe S.p.A. FRANCE
555, Rue Juliette Recamier
69970 Chaponnay, France
Phone +33 4 72769482 - Fax +33 805101071
e-mail: mktgfr@ebaraeurope.com

EBARA Pumps Europe S.p.A. GERMANY
Ferdinand-Porsche-Ring 7
63110 Rodgau-Jügesheim, Germany
Phone +49 (0) 6106-660 99-0
Fax +49 (0) 6106-660 99-45
e-mail: mktgde@ebaraeurope.com

EBARA POMPY POLSKA Sp. z o.o.
ul. Działkowa 115
02-234 Warszawa, Poland
Phone +48 22 3909920 - Fax +48 22 3909929
e-mail: mktgpl@ebaraeurope.com

EBARA Pumps Europe S.p.A INDIA LIAISON OFFICE
1503, Bhumiraj Costa Rica,
Sector-18, Palm Beach Rd.
Sanpada, Navi Mumbai
Maharashtra, Pin: 400705 - India
Phone +91 22 2781 2862
Fax +91 22 2781 2865
e-mail: mktgind@ebaraeurope.com

EBARA Pumps RUS Ltd.
Prospekt Andropov 18, building 7, floor 11
115432 Moscow
Japan
Tel. +7 499 6830133
e-mail: mktgrus@ebaraeurope.com



EBARA Pumps Europe S.p.A.

Via Pacinotti, 32
36040 Brendola (Vicenza), Italy
Phone +39 0444 706811 - Fax +39 0444 405811
e-mail: ebara_pumps@ebaraeurope.com
www.ebaraeurope.com



EBARA Corporation

11-1, Haneda Asahi-cho, Ohta-ku,
Tokyo 144-8510
Japan
Phone +81 3 6275 7598 - Fax +81 3 5736 3193
www.ebara.com

